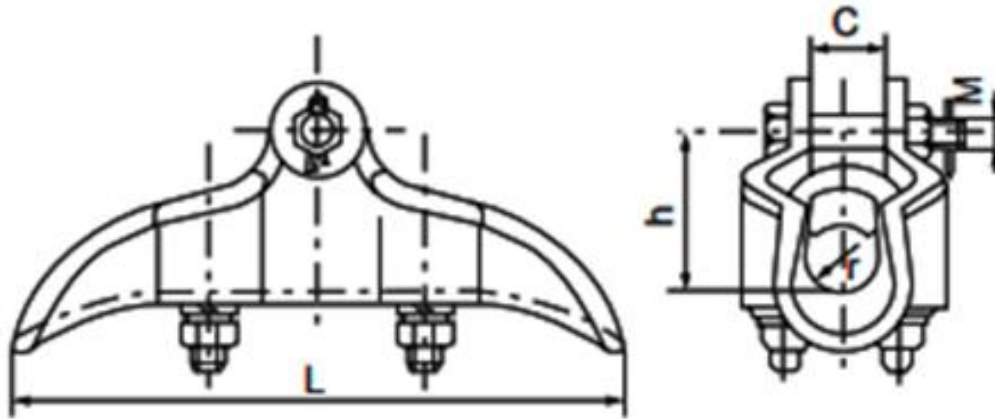


Overview

The suspension clamp is used to fix the wire on the insulator string of the linear tower, or to suspend the lightning protection wire on the linear tower.

The body and keeper are made of malleable iron, cotter-pins are made of stainless steel, other parts are made of steel. All ferrous parts are hot-dip galvanized.



Parameter

Catalog No.	Conductor Dia.(mm)	Dimensions (mm)					Rated Failure Load (kN)	Weight (kg)
		h	C	M	r	L		
XGT-1	5.0-7.0	54	16	16	6	146	71	1.2
XGT-2	6.1-15.3	57	18	16	8	171	71	1.5
XGT-3	7.6-17.8	57	18	16	9	180	71	1.6
XGT-4	10.2-21.1	60	21	16	11	190	80	2.1
XGT-5	12.7-25.4	60	26	16	15	203	80	2.6

